

bodum[®]

GARANTIESCHEIN

IBIS - ELEKTRISCHER WASSERKOCHER
MIT KABELSTATION

GUARANTEE CERTIFICATE

IBIS - ELECTRIC CORDLESS
WATER KETTLE

CERTIFICAT DE GARANTIE

IBIS - BOUILLOIRE ELECTRIQUE
SANS CORDON

GARANTIBEVIS

IBIS - ELEKTRISK VANDKEDEL
UDEN LEDNING

Firmenstempel • Business stamp • Cachet du commerce • Forretningsstempel

Datum • Date • Dato

bodum[®]

GEBRAUCHSANWEISUNG

IBIS - ELEKTRISCHER WASSERKOCHER
MIT KABELSTATION

DEUTSCH

INSTRUCTIONS FOR USE

IBIS - ELECTRIC CORDLESS
WATER KETTLE

ENGLISH

MODE D'EMPLOI

IBIS - BOUILLOIRE ELECTRIQUE
SANS CORDON

FRANCAIS

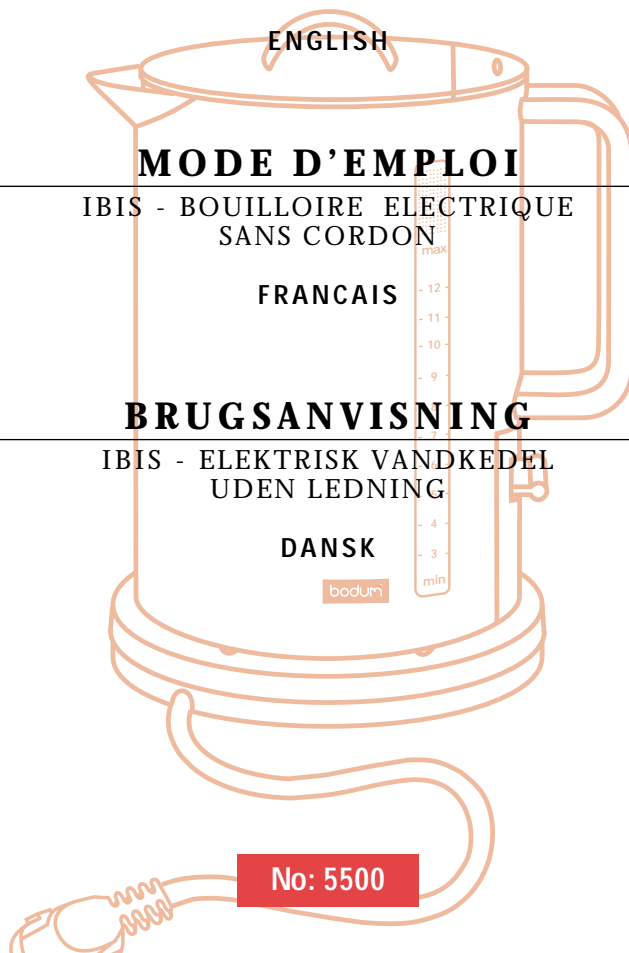
BRUGSANVISNING

IBIS - ELEKTRISK VANDKEDEL
UDEN LEDNING

DANSK

bodum

No: 5500



Kessel aussen sorgfältig mit einem feuchten Tuch abreiben, um alle Spuren der Zitronensäure, die die Oberfläche beschädigen könnten, zu entfernen.

Die Säurekonzentration sollte nicht höher gewählt werden.

Achten Sie darauf, dass die Anschlüsse vollständig trocken sind, bevor Sie den Kessel wieder benutzen.

Zitronensäurekristalle sind in den meisten Drogerien und Apotheken erhältlich.

Die Garantie erlischt, wenn Entkalkungen unterbleiben.

GARANTIE

Für einen Zeitraum von 24 Monaten vom Datum des Erstkaufs an gerechnet, wird BODUM® jedes defekte Teil in Ihrem BODUM® Elektro-Wasserkessel je nach Entscheidung BODUM®s entweder kostenlos reparieren oder ersetzen.

Zur Wahrnehmung des Garantie-Services wenden Sie sich bitte an Ihren BODUM® Händler oder den BODUM® Shop in Ihrem Land. Sie benötigen dabei die im Garantieschein enthaltene Kaufdatumsbescheinigung.

Diese Garantie besteht nur auf Defekte im Material oder in der Herstellung und deckt Teile und Arbeitsleistungen ab.

SIE IST KEINE GELDRÜCKGABE - GARANTIE.

Sie sind zur Vorauszahlung aller Transportkosten verpflichtet.

Diese Garantie wird ungültig, wenn Ihr BODUM® Elektro-Wasserkessel unsachgemäss oder nicht in Übereinstimmung mit unserer Bedienungsanleitung benutzt wurde, oder falls von un-

qualifizierten Personen oder unqualifiziertem Personal Arbeiten am Wasserkessel unternommen wurden.

Diese BESCHRÄNKTE GARANTIE erstreckt sich nicht auf Defekte, die entstanden sind durch Unfälle, Missbrauch, einer anderen Spannung oder Voltzahl als der auf dem Produkt und der Bedienungsanleitung angegeben, unautorisierte Reparatur, Transport, einschliesslich falsche Handhabung während des Transportes, oder durch Benutzung für kommerzielle Zwecke.

Alle Defekte müssen, sobald sie entdeckt werden, BODUM® gemeldet werden. BODUM® ist nicht verantwortlich für Defekte, die später als 24 Monate nach Datum des Erstkaufs gemeldet oder entdeckt werden.

SERVICE

Alle BODUM® Produkte sind aus hochwertigem, dauerhaftem Material gefertigt. Sollten Sie dennoch Ersatzteile benötigen und noch keine BODUM® Ersatzteilliste besitzen, setzen Sie sich bitte mit Ihrem nächsten BODUM® Händler, BODUM® Shop oder der BODUM® Vertretung in Ihrem Land in Verbindung.

INSTRUCTIONS FOR USE

ELECTRIC CORDLESS WATER KETTLE

BODUM® congratulates you on your IBIS, BODUM®s cordless water kettle.

Before using the kettle, read the following directions carefully.

READ ALL INSTRUCTIONS

SAVE THESE INSTRUCTIONS

HOUSEHOLD USE ONLY

TECHNICAL DATA

The kettle takes approximately 3 - 4 min to boil 1 litre of water.

1850 - 2200 watts

220/240 volts

contains min. 25 cl

contains max. 1,7 l

The kettle and the base are made of **PP**, which is suitable for recycling.

The heating element is made of **stainless steel**.

IMPORTANT SAFEGUARDS

When using electrical appliances, basic safety precautions should always be followed including the following.

Read all instructions, before using the kettle.

Do not use the appliance without supervision.

The kettle surface will be warm during heating.

Do not touch hot surfaces. Use handles.

To protect against fire, electric shock and personal injury, do not immerse cord, plug or base in water or other liquids.

Electrical articles shouldn't be used by children. Close supervision is necessary when used by or near children.

Unplug cord from outlet when not in use and before cleaning. Allow to cool before putting on or taking off parts and before cleaning the appliance.

Do not operate any appliance with a damaged cord or plug or after the appliance malfunctions or is dropped or damaged in any manner. Return appliance to the nearest authorized BODUM® service centre or BODUM® shop for examination, electrical repair, mechanical repair or adjustment.

The use of accessory attachments not recommended or sold by the appliance manufacturer, may cause fire, electric shock or injury. The guarantee doesn't cover if not original or not recommended parts are used.

Do not use outdoors.

Do not let cord hang over edge of table or counter, or touch hot surfaces. It is important to keep the cord short. The cord can be stored underneath the base.

Place the kettle and the base on a stable flat surface. Ensure that it cannot fall into water or that no water can splash onto base.

Do not place appliance or any parts on or near hot gas or electric burners, in a heated oven or in a microwave oven.

Be sure switch is turned off, then plug cord into wall outlet. To disconnect, turn control to **0**, then remove plug from wall outlet, being sure to grip plug firmly. Never yank on the cord.

Do not use appliance for other than intended use.

The kettle has a **stainless steel** heating element, therefore no harmful elements are given off into the water. Less scale attaches to the heating element than to copper heating element.

You may see scale floating on top of the water, this is harmless and will be caught by the scale filter whilst pouring.

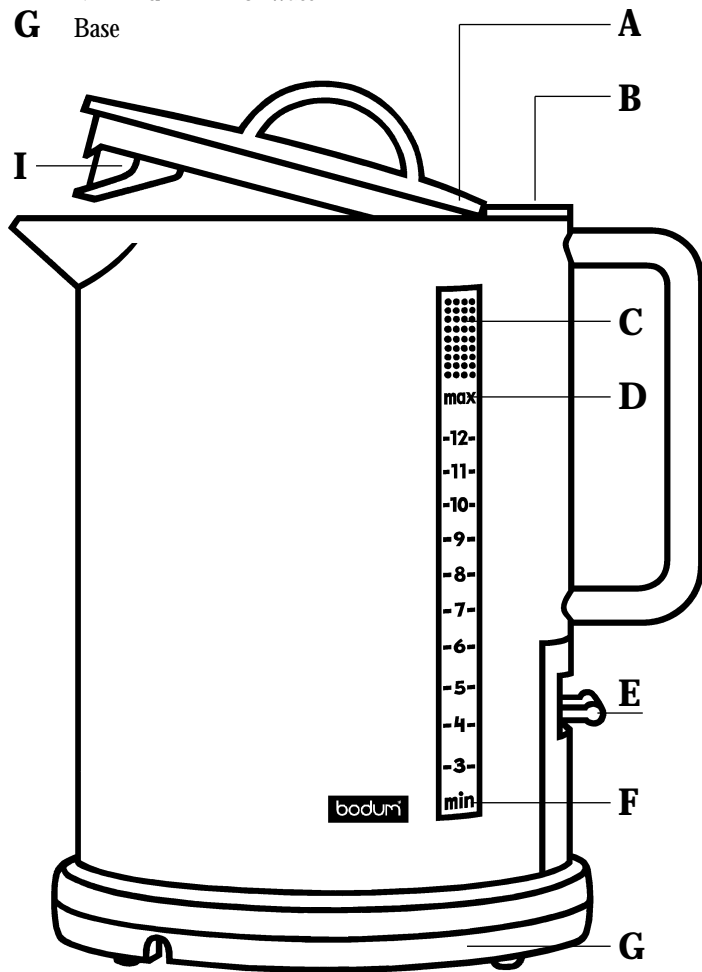
Accident: If scalding should occur, let cold tap water run over the scalded area. If necessary contact a doctor.

Warning: To reduce the risk of fire or electric shock, do not disassemble the kettle or the base. No user serviceable parts inside, repair should be done by authorized service personnel only.

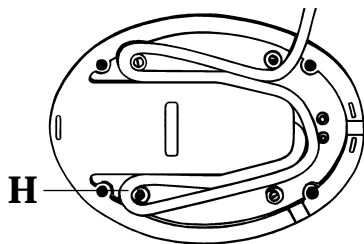
SAVE THESE INSTRUCTIONS

GENERAL DESCRIPTION

- A** Hinged lid
- B** ON / OFF indicator light
- C** Water gauge
- D** Maximum **MAX** of water
- E** ON **I** / OFF **O** switch
- F** Minimum **MIN** of water
- G** Base



- H** Cord storage under base, approx. 55 cm with side or front cable outlets.
- I** Scale filter



DO:

Before using the kettle for the first time boil water in it and discard.

Disconnect the base from the mains supply when it is not in use.

Boil only as much water as you need as this saves electricity.

The water level indicator on the side of the kettle helps you to fill the amount of water you want. The water level indicator is marked with 12 cups, 1.25 dl per cup. This corresponds to BODUM® coffee makers.

Always place the lid on the kettle before switching on, otherwise the kettle won't switch off automatically and it may spit out boiling water.

Take care to pour boiling water slowly and carefully, without tipping the kettle too fast.

Always put in enough water to cover the element, this is indicated by **MIN**, marked inside at the kettle body and marked outside at the water gauge.

Ensure that the kettle and its base is used on a firm flat surface.

Avoid contact with steam from the spout when the water is boiling or just after it has switched off. Take care when removing the lid for refilling when the kettle is hot.

Keep the outside of the kettle, base and electrical connections unit clean and dry at all times.

DON'T:

Don't fill above the **MAX**, marked outside at the water level gauge and marked inside at the kettle body.

Warning: If this kettle is overfilled, boiling water may be ejected.

Don't hold the switch in **I** position or tamper with the switch to fix it in the **I** position, as this may cause steam to be ejected from around the switch lever and could damage the automatic switch-off mechanism.

Never immerse the kettle or base unit or mains lead in water and always ensure that the electrical connections are kept dry.

Don't attempt to connect any other appliance to the cordless base unit, or tamper with the connector in any way (special interlocked shutters are designed to prevent access to the live pins until the kettle is attached to the base unit.)

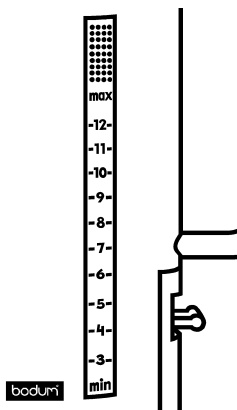
Don't use abrasive cleaners on the outside of the kettle and base - these may scratch the surface. Clean only with a soft damp cloth.

Don't use the kettle for any use other than to boil water.

USING THE KETTLE

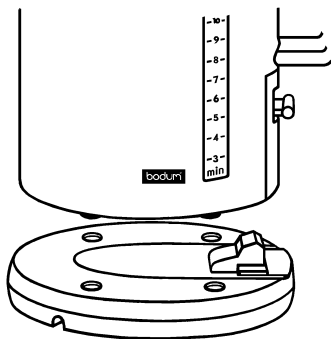
CORDLESS MODEL

1. Fill the kettle with at least enough water to cover the element, marked by **MIN** inside the kettle and outside at the water gauge. Don't overfill it, marked by **MAX** inside the kettle and outside on the water gauge.

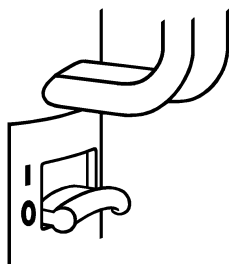


2. Don't forget to close the lid after filling.

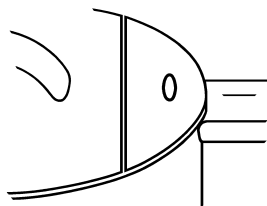
3. Take the kettle to the base unit, hold the kettle level, then gently but **firmly** - push the handle end down to engage the base unit connector. Plug in and switch on the wall socket.



4. Operate the switch lever to on / I



and the neon light will go on.



5. When the water boils, the kettle will switch off automatically. As it does so, a drop of water may emerge from the vent in the base of the kettle control housing. This is normal and not a fault.

6. Important: Ensure that the kettle has switched off automatically, or is switched off manually, operating the switch lever to **0** position, before attempting to remove the kettle from the base unit.

7. To remove the kettle from the base unit, switch off at the wall socket, grasp the handle and hold the kettle level while lifting it clear of the base unit. Take extra care if the kettle is filled to **MAX**.

8. If you do not put in enough water, or if you switch on the kettle when it is empty, the safety cut-out will switch off the power automatically. If this happens, remove the cord and leave the kettle to stand for the element to cool down naturally, then refill and use the kettle as normal.

IMPORTANT:

THE KETTLE MUST ONLY BE USED WITH THE BASE UNIT PROVIDED AND IS NOT TO BE FILLED WHEN PLACED ON THE BASE UNIT.

WARNING:

DO NOT PLACE THE BASE UNIT ONTO A METAL TRAY OR METAL SURFACE WHILST IN USE.

IMPORTANT:

ON CORDLESS MODELS IF THE MAINS LEAD BECOMES DAMAGED RETURN BASE TO SERVICE AGENT FOR REPAIR.

SCALE FILTER

Scale is a natural substance which forms when water from hard water areas is boiled. The filter is designed to retain the scale in the kettle.

FILTER CLEANING AND REMOVAL

It is important that the filter is cleaned regularly. The filter is a "snap fit" to the lid. The filter may be removed from the lid by pulling it downwards from the lid. It may be cleaned by brushing gently with a soft brush under running water.

DE-SCALING

In some areas, scale may form on the element which could damage it.

Soft scale may be removed by brushing the cool element regularly.

Remove hard scale using either a proprietary de-scaling product suitable for plastic kettles (following the instructions carefully), or **citric acid**. We recommend using citric acid as follows:

Boil 1 litre of water, then unplug the kettle and stand it in an empty sink or bowl. Add 50 gm of citric acid crystals gradually, then leave the kettle to stand.

As soon as the effervescence subsides, empty the kettle and rinse it thoroughly with cold water.

Wipe the outside of the kettle thoroughly with a damp cloth to remove all traces of citric acid which may damage the finish.

Do not use a more concentrated solution.

Ensure that the electrical connections are completely dry before using the kettle.

Citric acid crystals is available at most chemists.

Failure to de-scale may invalidate the guarantee.

GUARANTEE

For a period of 24 months from the date of original purchase, BODUM® will repair or replace at its option any defective part in your BODUM® Electric Water Kettle without charge.

To qualify for warranty service you must apply to your BODUM® dealer or the BODUM® shop in your country producing proof of date of purchase by way of the guarantee certificate enclosed at the back of this folder.

This warranty is given only against defects in material and workmanship and comprises piece-parts and labour
AND IS NOT A MONEY-BACK GUARANTEE.

You are responsible for prepaying all transportation costs.

This warranty is not valid if your BODUM® Electric Water Kettle has been misused or not used in accordance with the instructions or if work has been carried out on the water kettle by unqualified persons or personnel.

This LIMITED WARRANTY does not cover defects resulting from accidents, misuse, use on a frequency or voltage other than marked on the product and

described in the instructions, unauthorized repair, transit including tampering damage in transit, or use for commercial purposes.

All defects must be reported to BODUM® immediately when discovered and BODUM® is not liable for any defects reported or discovered later than 24 months after the date of original purchase.

SERVICE

All BODUM® products are made of highly durable materials. Should you require replacement spare parts and you do not have a mail order list of the BODUM® spare parts, do not hesitate to contact your nearest BODUM® dealer, BODUM® shop or BODUM® head office in your country.

MODE D'EMPLOI

MODELE SANS CORDON ELECTRIQUE

BODUM® vous félicite d'avoir acheté la bouilloire IBIS sans cordon électrique de BODUM®.

Avant de vous servir de la bouilloire, lisez attentivement les directives suivantes.

**LISEZ CES
INSTRUCTIONS
ATTENTIVEMENT**

**CONSERVEZ
SOIGNEUSEMENT CES
DIRECTIVES**

**A USAGE MENAGER
UNIQUEMENT**

BODUM® SHOP LUZERN

Weinmarkt 7
CH - 6000 Luzern 5
Tel: 041 - 418 60 20
Fax: 041 - 418 60 11

BODUM® SHOP ZÜRICH

Limmatquai 70
CH - 8001 Zürich
Tel: 01 - 261 22 06
Fax: 01 - 261 22 08

BODUM® SHOP KØBENHAVN

BODUM® HUS
Østergade 10
DK - 1100 København K
Tel: 33 36 40 80
Fax: 33 36 40 89

BODUM® SHOP MAGASIN DU NORD

Kongens Nytorv 13
DK-1095 København K
Tel: 33 11 44 33, ext. 2568

BODUM® SHOP ILLUM

Østergade 52
DK - 1001København K
Tel: 33 14 40 02, ext. 6398
Fax: 33 32 08 06

BODUM® SHOP ILLUMS BOLIGHUS

Amagertorv 10
DK - 1160 København K
Tel: 33 14 19 41, ext. 280

BODUM® SHOP COVENT GARDEN

24 Neal Street
GB - London WC2 9PS
Tel: 0171 - 240 91 76
Fax: 0171 - 497 80 64

BODUM® SHOP CHELSEA

71 Kings Road
GB - London SW3 4 NX
Tel: 0171 - 376 38 25
Fax: 0171 - 823 37 49

BODUM® SHOP WHITELEYS

Bayswater
GB - London W2
Tel. & Fax: 0171 - 792 12 13

BODUM® SHOP MILANO

La Rinascnte, Via Santa Redegonda 3
I - 20121 Milano
Tel: 02 - 885 22 93
Fax: 02 - 86 63 71

BODUM® SHOP ROMA

La Rinascnte, Roma Fiume, Via Aniene 1
I - 00198 Roma
Tel: 06 - 884 12 31
Fax: 06 - 854 35 25

BODUM® SHOP PARIS

CARROUSEL DU LOUVRE
3, allée de Rivoli /99, rue de Rivoli
F - 75001 Paris
Tél: 01 - 42 60 47 11
Fax: 01 - 42 96 18 35

BODUM® SHOP PRINTEMPS

64, bd Haussmann
F - 75009 Paris
Tél: 01 - 42 82 50 00

BODUM® SHOP LE BON MARCHÉ

Rue de Sèvres
F - 75007 Paris
Tél: 01 - 44 39 80 00

BODUM® SHOP BHV RIVOLI

52 - 64 rue de Rivoli
F - 75004 Paris
Tél: 01 - 42 74 90 00

BODUM® SHOP SAMARITAINE

19 rue de la Monnaie
F - 75001 Paris
Tél: 01 - 40 41 20 20

BODUM® SHOP GALERIES LAFAYETTE

40, bd Haussmann
F - 75009 Paris
Tél: 01 - 42 82 34 56

BODUM® SHOP LISABON

Centro Comercial das Amoreiras
Loja 2130
P - 1070 Lisboa
Tel: 01 - 387 65 61/383 10 26
Fax: 01 - 383 20 08

BODUM® GAIASHOPPING

Centro Comercial Gaiashopping
Loja 256
P - 4400 Vila Nova Gaia
Tel: 02 - 379 17 76
Fax: 02 - 379 17 77

BODUM® SHOP CHICAGO

Marshall Field's, 111 N. State St.
USA - Chicago IL 60602-1658
Tel: 312 - 781 10 00

BODUM® SHOP THE BAY

176 Yonge Street
CDN - Toronto, ON., M5C 2L7
Tel: 416 - 861 91 11

BODUM® SHOP PETERS OF KENSINGTON

57 Anzac Parade
AUS - Kensington NSW 2031
Tel: 029 - 6621 352
Fax: 029 - 6621 835

MODELL MIT KABELSTATION

BODUM® beglückwünscht Sie zum Kauf Ihres kabellosen BODUM® Wasserkessels IBIS.

Bevor Sie Ihren Kessel in Gebrauch nehmen, lesen Sie bitte folgende Anweisungen aufmerksam durch.

LESEN SIE BITTE ALLES!

HEBEN SIE DIESE ANWEISUNGEN AUF!

NUR FÜR DEN GEBRAUCH IM HAUS BESTIMMT!

Kommer der stænk af citronsyre opløsning udvendigt, tørres dette af med en fugtig klud, da citronsyren kan skade kedlens finish.

Citronsyre kan købes i de fleste supermarkeder og materialister.

Manglende afkalkning indskrænker garantien.

GARANTI

I en periode på 24 måneder fra købsdatoen vil BODUM® uden beregning reparere eller erstatte (efter sit valg) enhver defekt del i Deres BODUM® elektriske vandkedel.

Hvis De ønsker arbejde udført under garantien, må henvendelse ske til Deres BODUM®-forhandler eller BODUM®-forretningen i Deres hjemland. Der skal forevises bevis for købsdatoen, i form af garantibeviset bagest i denne folder.

Denne garanti dækker kun defekter i materialer og udførelse. Den omfatter reservedele og arbejds løn, MEN GIVER IKKE RET TIL AT FÅ PENGENE TILBAGE.

De skal selv forudbetale alle transportudgifter.

Denne garanti gælder ikke dersom den elektriske vandkedel er blevet misbrugt eller ikke har været anvendt i henhold til brugsanvisningen; den gælder heller ikke hvis der er blevet udført arbejde på kedlen af dertil ukvalificerede personer.

Denne BEGREENSEDE GARANTI dækker ikke defekter der skyldes uheld, forkert brug, brug med en anden frekvens/spænding end som angivet på produktet og beskrevet i brugsanvisningen, uautoriseret

reparation, transportskader inkl. hærværk under transport, eller brug i erhvs-mæssigt øjemed.

Alle defekter skal anmeldes til BODUM® så snart de opdages. BODUM® har intet ansvar for eventuelle defekter der rapporteres eller opdages efter udløbet af 24 måneder fra købsdatoen.

SERVICE

Alle BODUM® produkter er fremstillet i særskilte holdbare materialer. Hvis du har brug for reservedele, og du ikke har et postordre katalog over BODUM® reservedele, venligst henvend dig til din nærmeste BODUM® forhandler, BODUM® shop eller ring direkte til BODUM®s salgskontor i dit land.



COMPANIES

CH
INTER BODUM® AG
Kantonstrasse 100
Postfach 463
CH - 6234 Triengen
Tel: 041 - 935 45 00
Fax: 041 - 935 45 80

DK
BODUM® (DANMARK) A/S
Vibe Allé 4
DK - 2980 Kokkedal
Tel: 49 - 14 80 00
Fax: 49 - 18 18 44

GB
BODUM® (UK) LTD
Bourton Industrial Park
Bourton-on-the-Water
Cheltenham, Gloucestershire
GL54 2LZ
Tel: 01451 - 81 04 60
Fax: 01451 - 81 04 70

D
PETER BODUM GMBH
Postfach 1164
D - 24559 Kaltenkirchen
Tel: Zentrale 04191 - 99 83 0
Tel: Verkauf 04191 - 99 83 83
Fax: 04191 - 29 69

F
BODUM® (FRANCE) S.A.
Parc haute technologie
27, rue Georges Besse
F - 92183 Antony cedex
Tel: 01 - 42 37 27 28
Fax: 01 - 42 37 41 20

I
BODUM® (ITALIA) SRL
Via IV Novembre, 26
I - 40033 Casalecchio di Reno (BO)
Tel: 051 - 59 23 98
Fax: 051 - 59 32 46

E
BODUM® (ESPAÑA) S.A.
P.A.E. Neisa Norte
Avenida Valdelaparra, 27 - Nave 15. Edf. III
E-28100 Alcobendas (Madrid)
Tel: 91 - 661 39 78
Fax: 91 - 661 38 79

NL
BODUM® (NEDERLAND) B.V.
Satijnbloem 14
NL - 3068 JP Rotterdam
Tel: 010 - 455 00 22
Fax: 010 - 456 29 16

P
BODUM® (PORTUGUESA) S.A.
Apartado 8/Fojo
P-3460 Tondela
Tel: 032 - 81 30 20 e 81 39 00/01
Fax: 032 - 81 39 03

USA
BODUM® INC.
2920 Wolff Street
Racine, Wisconsin
USA - WI 53404
Tel: 414 - 633 64 50
Fax: 414 - 633 64 91

S
BODUM® STENIUS AB
Box 748
S - 131 24 Nacka (mail)
Stubbsundsvägen 13
S - 131 41 Nacka (visit)
Tel: 08 - 716 91 60
Fax: 08 - 718 23 27

NZ
PETER GOWER LTD.
P.O. Box 37-411
7 Windsor Street
NZ - Parnell, Auckland
Tel: 0-9-379 4708
Fax: 0-9-307 3554

AUS
GIBSONS & PATERSON (WA) PTY
GIBPAT House
Herdsmen Business Park
40 Hasler Road
AUS - Osborne Park WA 6017
Tel: 089 - 244 10 88
Fax: 089 - 244 19 74

CDN
DANESCO INC.
18111 Trans-Canada
Kirkland (Montréal), Québec
Canada H9J 3K1
Tel: 514 - 694 9111
Fax: 514 - 695 5201

ZA
LOUIS SMIEDT
(Wholesalers) (Pty) Ltd.
P.O. Box 6700
ZA - Johannesburg 2000
Tel: 011 - 832 15 22
Fax: 011 - 836 67 35

IL
HEMICK Ltd.
1, Haharuv Str.
Moshav Rishpon
IL - 46915
Tel: 972 - 9 - 9584229
Fax: 972 - 9 - 9511026

SGP
TROPICAL TOUCH PTE. LTD.
Blk 203, Wing "B"
09 - 10A Henderson Industrial Park
Singapore 159548
Tel: 2760 663
Fax: 2760 667