

# Instructions for KOVOCAS & LISS Glass Soda Siphons

## How to Use:

-- NEVER OPEN a charged siphon without first releasing all the pressure by pressing on the "lever". (See other important Safety Instructions further below.)

-- BEFORE FIRST USE, or if you have not used it in a while, rinse out the bottle, first with warm, then with cold water, and drain.

-- FILL with chilled, fresh drinking water, up to the red mark.

Do not overfill above the mark, to keep room for the gas.

Do not add other ingredients -- the bottle is only intended for use with water.


-- PLACE the neck insertion gasket with the riser tube inside the neck of the bottle. (Fig. 1, at right)



-- SCREW the head assembly onto the neck evenly and firmly.

**Note:** Make sure the head is seated evenly on the bottle before screwing on, to prevent damage to the threads. Do not over-tighten.

-- INSERT a seltzer charger into the cartridge holder (wing nut), bulbous part first.

 -- SCREW the cartridge holder onto the admission valve of the head to a hand-tight position. (Fig. 2, at left)  
You'll hear a hissing sound as the gas is released into the bottle while screwing on the holder.

Use only 1 charger for each filling.

-- SHAKE the siphon briskly up and down four or five times. (Fig. 3, at right)



-- UNSCREW the cartridge holder, remove the charger, and place the cap over the threads.

Some hissing noise is normal while unscrewing.

Chargers are recyclable metal, so be sure to dispose of them properly.

-- PRESS the lever to dispense seltzer.

-- STORE in the fridge. (Never in the freezer.)

### **Cleaning and Storage:**

- NEVER OPEN a charged siphon without first releasing all the pressure by pressing on the "lever".
- UNSCREW the head and remove the gasket and tube. No need to take the gasket and tube apart; you can clean them as one component.
- THOROUGHLY CLEAN each individual component with a mild detergent.
- HAND WASH ONLY. Do not place in a dishwasher, nor in boiling water.
- ALLOW the parts to air dry.
- STORE the head assembly and the bottle separately.

### **Helpful Hints:**

- BEFORE FILLING the siphon, it helps to run cold water over the bottle, or to cool it in the refrigerator.
- COLD WATER will fizz better than warmer water.
- DO NOT ADD FILLERS OR FLAVORS. Soda siphons are for water only. Place flavors in a glass or pitcher, then fill with seltzer water to make flavored drinks.
- REFRIGERATE unused seltzer in bottle.
- SHAKE every time before dispensing seltzer.
- SERVE IMMEDIATELY after dispensing, for best results and the fizziest of drinks.

### **Safety Precautions:**

*The soda siphon and chargers are pressurized vessels  
and require special attention and care:*

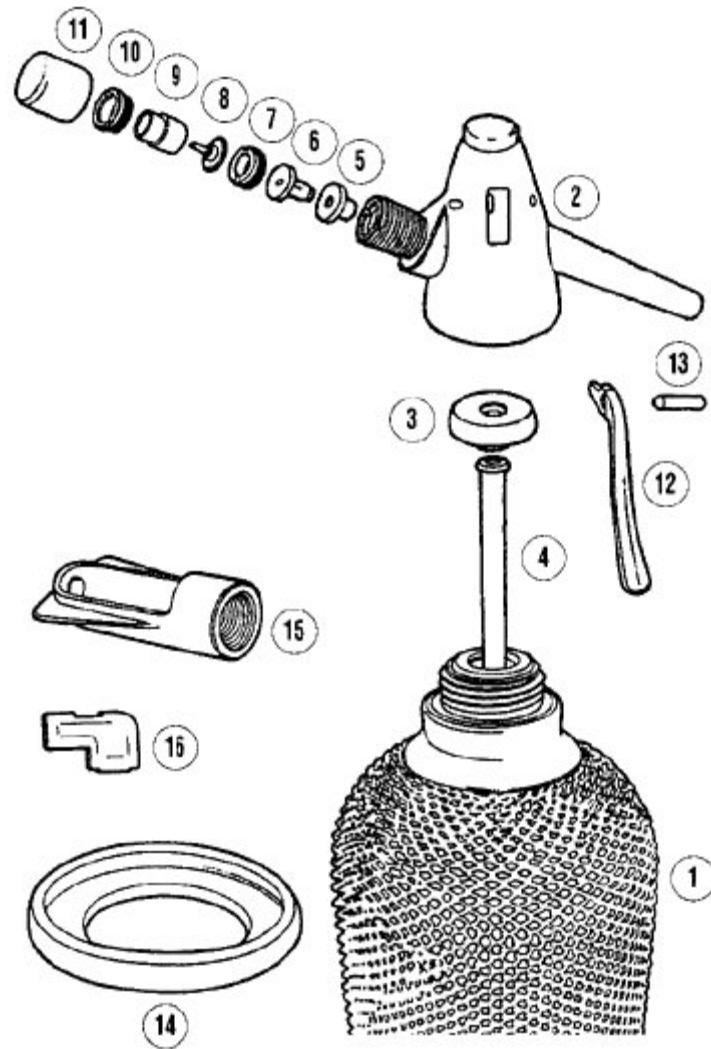
- Keep siphon, chargers and parts out of the reach of children.
- Use only appropriate manufacturer parts.
- Use only approved seltzer chargers.
- Never use more than 1 charger per filling.

- Do not attempt to make any modification to the siphon.
- Never use the siphon if damaged or dropped.
- Never use force to assemble elements of the siphon, as they are made to be easily assembled. Damaged parts can pose safety hazards.
- Never bend over the siphon, or hold it or parts near someone while charging or using it.
- Do not expose the siphon or chargers to heat, such as a stove, sun, oven, microwave, etc.
- Do not put the siphon or chargers in the freezer.
- Only open the siphon after all pressure has been released. Press the lever until all liquid has been released and you no longer hear a hissing sound.
- When cleaning, only take apart the parts as shown in Fig. 1. Do not disassemble the head for cleaning.
- Do not use sharp objects or abrasive materials when cleaning the bottle.
- For spare parts, contact the manufacturer, distributor or authorized parts sellers only.
- Keep the instruction booklet that comes with your siphon. It contains valuable information.

### **Warranty:**

- Defective soda siphon (faulty materials or bad workmanship) will be repaired free of charge (freight prepaid) within one year of date of purchase.
- This guarantee does not cover any liability for malfunction caused by improper use, use of damaged parts, or any consequential damage.
- In order to assure the proper functioning of your soda siphon and to keep it under warranty, use only original Kovocas or Liss made parts. Read instructions carefully.
- Any attempt to repair or to improperly use the soda siphon and its parts will void all guarantees and liabilities.
- For warranty repairs, always return the head assembly, neck gasket and riser tube with the bottle.

## Kovocas Siphon Parts for Models *M-90 Tall* and *M-91 Round*



- 1** - Glass bottle; **2** - Head; **3** - Neck insertion gasket; **4** - Riser tube;  
**5** - Admission valve rubber seat gasket; **6** - Admission valve; **7** - Screw nut for Admission Valve;  
**8** - Needle or pin; **9** - Rubber packing; **10** - Thread ring, or threaded collar; **11** - Cap;  
**12** - Lever; **13** - Peg for lever; **14** - Rubber stiffener for bottom of bottle;  
**15** - Wing nut, or cartridge holder; **16** - Spanner nut or wing